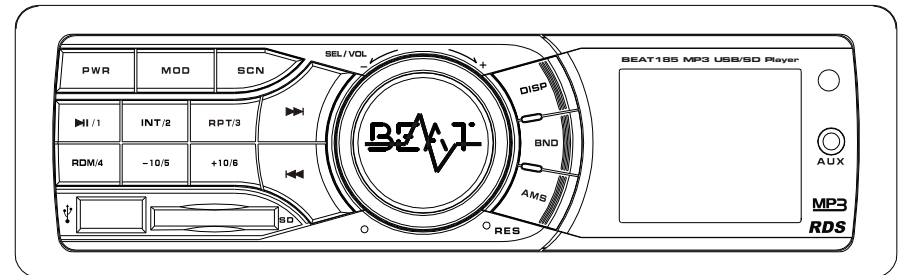


BEAT185

INSTRUCTION MANUAL



MP3 PLAYER / RECEIVER

USB / SD / MMC / AUX SLOT

SPECIFICATION

| | |
|-----------------------------|----|
| Installation..... | 02 |
| Additional information..... | 04 |
| General operations..... | 05 |
| Radio operations | 10 |
| USB/SD operations | 11 |
| Remote controllayout..... | 12 |
| Specification..... | 14 |

General

| | |
|----------------------------|-----------------------------|
| Power Supply Requirements: | DC 14.4V, Negative Ground |
| Load Impedance: | 4 ohms |
| Maximum Output Power: | 25W x 4 |
| Chassis Dimensions: | 178 x 130x 50mm (W x D x H) |
| Current Drain: | 10A |

Tone Controls

| | |
|------------------|---------------|
| Bass (at 100Hz): | +10dB / -10dB |
| Treble (at 10K): | +10dB / -10dB |

USB/SD MUSIC Player

| | |
|------------------------|----------------|
| Signal to Noise Ratio: | More than 60dB |
| Channel Separation: | More than 60dB |
| Frequency Response: | 20Hz - 20KHz |

FM Radio

| | |
|---------------------------|-----------------------|
| Frequency Coverage (MHz): | 87.5 - 108MHz(Europe) |
| IF : | 10.7MHz |
| Sensitivity (S/N-30dB): | 12dBu |
| Stereo Separation: | >30dB |

AM Radio

| | |
|---------------------------|---------------|
| Frequency Coverage (KHz): | 522 - 1620KHz |
| IF : | 450KHz |
| Sensitivity (S/N-20dB): | <42dBu |

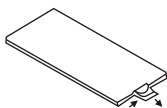
Remarks:
Specifications subject to change without notice

REMOTE CONTROL LAYOUT

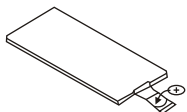
Replacing the Battery

When the operational range of the remote control becomes short or non functions while operating. Replace a new CR2025 battery. Make sure the battery polarity before replacement.

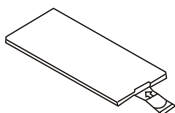
1. Pull out Battery Holder while pressing the stopper



2. Put the button type battery (+) mark upward into the Battery Holder.



3. Insert the Battery Holder into the Remote control



INSTALLATION

PRECAUTIONS

Choose the mounting location where the unit will not interfere with the normal driving function of the driver.

Before finally installing the unit, connect the wiring temporarily and make sure it is all connected up properly and the unit and the system work properly.

Use only the parts included with the unit to ensure proper installation. The use of unauthorized parts can cause malfunctions.

Consult with your nearest dealer if installation requires the drilling of holes or other modifications of the vehicle.

Install the unit where it does not get in the driver's way and cannot injure the passenger if there is a sudden stop. Like an emergency stop.

Avoid installing the unit where it would be subject to high temperature, such as from direct sunlight, or from hot air, form the heater, or where it would be subject to dust, dirt or excessive vibration.

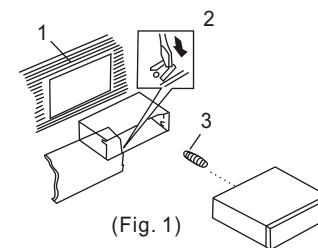
DIN FRONT-MOUNT (Method A)

Installing the unit

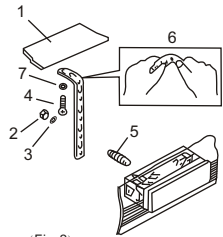
1. Dashboard

2. Holder
After inserting the holder into the dashboard, select the appropriate tab according to the thickness of the dashboard material and bend them inwards to secure the holder in place.

3. Screw

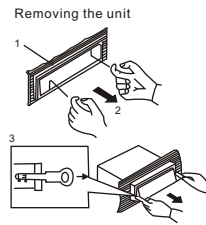


INSTALLATION



(Fig. 2)

1. Dashboard
 2. Nut (5mm)
 3. Spring Washer
 4. Screw (5 x 25mm)
 5. Screw
 6. Strap
- Be sure to use the strap to secure the back of the unit in place. The strap can be bent by hand to the desired angle.
7. Plain Washer



(Fig. 3)

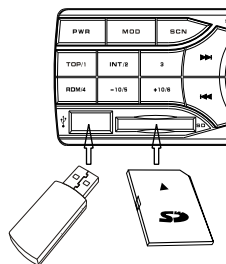
1. Frame
2. Insert fingers into the groove in the front of frame and pull out to remove the frame. (When reattaching the frame, point the side with a groove downwards and attach it.)
3. Lever
- Insert the levers supplied with the unit into the grooves at both sides of the unit and shown in figure until they click. Pulling the levers makes possible to remove the unit from the dashboard.

Fastening the unit to the factory radio mounting bracket:

1. Select a position where the screw holes of the bracket and the screw holes of the main unit become aligned (are fitted), and tighten the screws at 2 places on each side. Use either truss screws (5 x 5mm) or flush surface screws (4 x 5mm)
2. Screw
3. Dashboard or Console

DIN REAR-MOUNT (Method B)

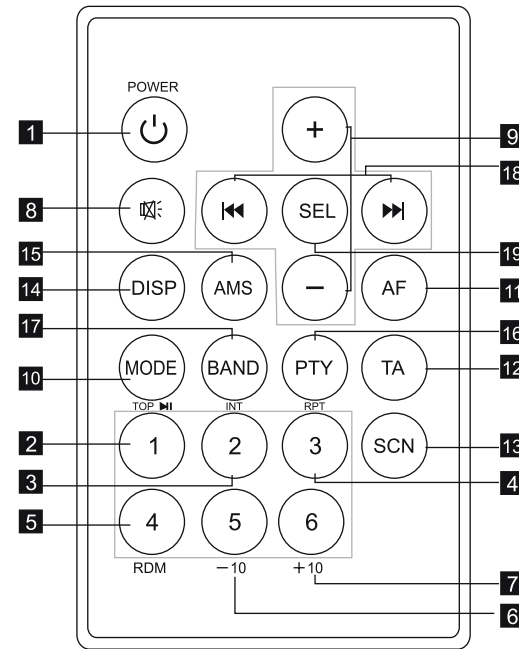
Installation using the screw holes on the sides of the unit



INPUT THE SD CARD

The SD oblique angle keeps Rightward exposure. put into the SD slot and press it again to eject.

REMOTE CONTROL LAYOUT



- | | | | |
|---|-------------------------------|----|------------------------------------|
| 1 | Power Button | 10 | Mode Switch |
| 2 | Pause/play/ Preset Button1 | 11 | Alternative Frequencies Button |
| 3 | Intro/Preset Button2 | 12 | Traffic Announcement Button |
| 4 | Repeat Playing/Preset Button3 | 13 | Scan Button |
| 5 | Random/Preset Button4 | 14 | Display Button |
| 6 | Preset Button5 | 15 | APS/AMS Button |
| 7 | Preset Button6 | 16 | Program Type Button |
| 8 | Mute Button | 17 | Band Switch |
| 9 | Volume Control | 18 | Tuning/Selecting Tracks/ F.F / F.R |
| | | 19 | Select Button |

Remote Control Optional

USB/SD OPERATIONS

USB/SD FLASH MP3 Playing:

PLAY / PAUSE

Press button (11) pause function is activated. Music track play time INDICATOR flashes. Press it again to resum palying, press it more than 1 second is TOP function.

INT

Press button (13): During INTRO ON, INT indicator comes on and begins Playing the first 10sec of each song, until the last song is played. It begins playing the entire track from where INT started

RPT

Press preset button (10): Flash play mode : REPEAT ON / OFF is activated. When REPEAT ON, RPT INDICATOR comes on and repeats the current music track.

RDM

Press preset button (14): During RANDOM ON, RDM INDICATOR is turned on and each track of disc is played in random instead of normal order.

SELECT TRACKS

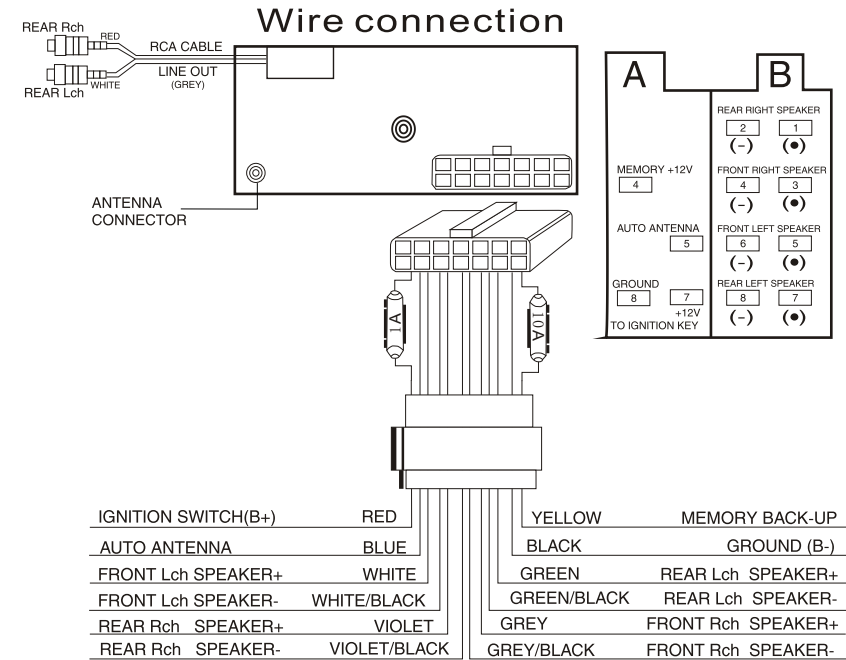
During USB/SD operation, press SEEK "◀" (8) button or SEEK "▶" (9) button to move to the previous track or the following track, Track number shows on display. During USB/SD, hold SEEK "◀" (8) button or SEEK "▶" (9) to fast reverse or fast forward. Music play starts from when you release the button.

Press preset button (15-16):

- MP3 MODE : 10 TRACK UP / DOWN is activated.
When the total track is 10 or less, KEY is inactivated.

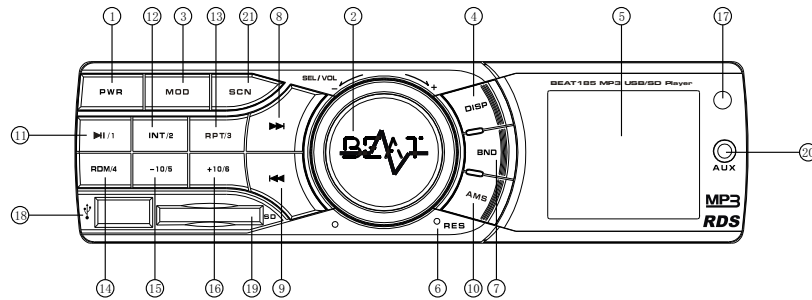
ADDITIONAL INFORMATION

WIRE CONNECTION DIAGRAM



GENERAL OPERATIONS

FRONT PANEL LAYOUT

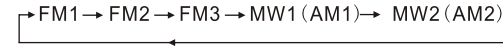


- | | |
|-------------------------------------|----------------------------------|
| 1. Power Button | 11. Paly/Pause & Preset Button 1 |
| 2. Volume/Sel Button | 12. Intro & Preset Button 2 |
| 3. Mode switch | 13. Repeat & Preset Button 3 |
| 4. Display Button | 14. Random & Preset Button 4 |
| 5. LCD Display | 15. Preset Button 5 & -10 Track |
| 6. Reset Button | 16. Preset Button 6 & +10 Track |
| 7. Band switch | 17. Remote Control sensor |
| 8. Tune Seek & Track forward Button | 18. USB connector |
| 9. Tune Seek & Track reverse Button | 19. SD/MMc slot |
| 10. Automatically memory storing | 20. AUX IN JACK |
| | 21. SCN Button |

RADIO OPERATIONS

BAND SELECTION

At tuner mode, press BAND button (7) to select the desired band. The reception band will change in the following order:



STATION SELECTION

During radio mode, Press "SEEK ◀" or "SEEK ▶" buttons shortly to automatically search a station, Press "SEEK ◀" or "SEEK ▶" buttons more than 1 second is operated as manual turning mode.

AUTOMATICALLY MEMORY STORING & PROGRAM SCANNING

- Automatically Memory Storing

Press AMS(MP3) button (10) for several seconds, the radio searches from the current frequency and checks the signal strength until one cycle search is finished.

And then 6 strongest stations are stored into the corresponding preset number button.

- Program Scanning

Press AMS(MP3) button (10) shortly to scan preset station. When the AMS mode is carry out, "INT" appear on LCD display, the unit scan each stored station for 5 seconds, you also can press the corresponding number button or AMS button. Your desired station will start playing.

STATION STORING

Press preset button (11~16)

RADIO MODE.

M1 ~ M6

- PRESET MEMORY is loaded when key is pressed for less than 1 second.

- PRESET MEMORY is saved when key is pressed for longer than 1 sec.

SCAN

Press scan button (21) to search radio station. When a station signal strength level is moer than the level to stop. The radio will playing the station for 5 seconds and the frequency blinking on the LCD at the same time.

Press and hold scan button (21) more than 3 seconds to select the station which you desired. The radio will start playing the station.

GENERAL OPERATIONS

SELECT MODE

By pressing this button(3) to go to different function mode:

- Tuner (radio)
- USB
to go to this mode USB device must be connected.
- Memory Card
to go to this mode must be have a Memory Card in.
- AUX in put

DISPLAY

Press DISP button (4) to operate as the conversion of each display mode as follow:

- Time is displayed for 5sec when DISP key is pressed, and it returns to its previous display (Folder, File name...) unless DISP key is pressed again.
- 3) From the clock mode, when DISP Key is pressed for longer than 1sec, clock mode switches to clock Adjusting mode and the clock display begins flashing. At this time clock can be changed by pressing (+/-) , or the ENCODER VOLUME.

LIQUID CRYSTAL DISPLAY

Exhibit current frequency and activated functions on the display (5).

RESET

RESET button (6) is placed on the housing and must be activated with either a ball point pen or thin metal object. (Do not use sharp object to avoid damaging the unit.) The RESET button (6) is to be activated for the following reasons:

- Initial installation of the unit when all wiring is completed.
- All the function buttons do not operate.
- Error symbol on the display.

GENERAL OPERATIONS

GENERAL OPERATIONS

ON/OFF

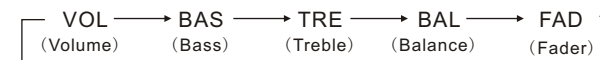
Press POWER button (1) to turn on the unit. Press it more than 1 second to turn off.

SOUND ADJUSTMENT

Turn on (2) can adjust the desired volume quality.

Press SEL button (2) will change in the following order.

Option:



VOLUME

Adjust volume level by using VOL/SEL (2) knob. Turn the VOL knob to left to decrease the sound level, turn the VOL knob to right to increase the sound level.

Note: The unit is initially set to volume mode.

BASS

Press VOL/SEL button(2) one time. Adjust bass level by using VOL/SEL(2) Knob.

TREBLE

Press VOL/SEL button(2) two times. Adjust treble level by using VOL/SEL(2) Knob

BALANCE

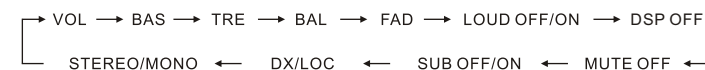
Press VOL/SEL button(2) three times. Adjust sound balance between left and right speakers by using VOL/SEL(2)Knob .

FADER (optional)

Press SEL button(2) four times. Adjust sound balance between front and rear speakers by using VOL/SEL(2)Knob.

SELECT MENU

Press VOL/SEL button for several seconds, selecting menu is activated as cyclical mode of following function for use's selection:



Press VOL/SEL button shortly and turn VOL button to right or left to select different menu mode.

GENERAL OPERATIONS

MUTE OFF/ON

Select "MUTE on" mode to cut down the speakers output, return to "MUTE OFF" mode to resume the speakers output.

LOUD ON/OFF MODE

In loud on mode the bass and treble response will be boosted.

STEREO/MONO

When FM station are weak and are disturbed. Listening can be improve by selecting MONO.

LOCAL/DX

"LOCAL" position in areas with strong signals to let radio stop at only strong stations during manual turning select distant position in areas with weak signals to listen to all stations.

AREA SETUP

In Radio mode. Press SEL button for several seconds. LCD will show from BEEP ON → AREA USA/EUR. At AREA USA/EUR. You can use VOL +/- to select the AREA frequency.

RDS (RADIO DATA SYSTEM) OPERATION

AF : Alternative Frequencies

- Setting RDS Mode Press AF button (20) and release immediately to switch on or off RDS mode. Whenever RDS is switched on, symbol "AF" appears on the display.

AF / REG

AF

- AF / REG key directs the activation of AF SEARCH.
- AF indicator is displayed when AF is ON, AF search is activated when reception is bad.
- During FM MODE, when AF is ON, SEEK, SCAN, AUTO, MEMORY function can only receive and save RDS program. However, when Italy option is in use, regardless of RDS, programs that satisfy SD LEVEL Can be received and saved.

GENERAL OPERATIONS

| INDICATOR | CONDITIONS |
|-------------|--|
| AF ON | AF ON MODE, RDS information is received. |
| AF OFF | AF OFF MODE |
| AF FLASHING | AF ON MODE, RDS information is not received. |

REGION

- AF MODE is converted to REGION ON / OFF MODE when AF ON MODE is pressed for longer 1sec.
- ON : PI CODE is checked when AF CHECK in progress
- OFF : PI CODE and COVERAGE AREA is not checked when AF CHECK in progress.

PTY

RADIO MODE

- Previous PTY is displayed when PTY key (21) is pressed. If there are no keys entered for 2seconds, previously selected PTY is searched. During 1LOOP, if desired PTY is not found, NO PTY is displayed.
- 2 program types are SPEECH and MUSIC.
By pressing PTY once, MUSIC is entered. When PTY is pressed the second time, SPEECH is entered.
M1~M6 keys can be used to select the desired program type.

TA

TA button (22) is operated as follows:

- TA is turned ON / OFF and TA indicator is displayed.
When traffic announcement is transmitted, regardless of the mode, traffic announcement is received.

If VOLUME LEVEL is below 20, VOLUME LEVEL is raised to 20, and returns to its previous mode and volume level when the traffic announcement is over.

If volume is adjusted during traffic announcement, only the previous volume is valid.

- When TA is on, SEEK, SCAN, AUTO MEMORY function can be received or saved only when traffic program identification code has been received.

- When TA is ON, traffic program identification code is not received during specified time.

TAALARM : NO TA / TP is displayed and alarm is set off.

TA SEEK : TA SEEK is activated.